

Mini EDFA Module M312 Series



Features

- High flatness: Typical 1.5dB
- Cover whole C-band
- Adjustable gain
- High saturation output power
- High Precise APC,AGC,ACC Circuit
- Compact mechanical and circuit structure
- OEM is available
- Compatible with Bellcore GR-1312-CORE standard

Application

1. Pre-amplifier
2. In-line amplifier
3. Booster
4. DWDM Transmission system

Description

This optical amplifier is EDFA with high stability output. The key component of the product is highly reliable multimode pump laser. A unique APC (Automatic Power Control) and ATC (Automatic Temperature Control) circuit affords the stable and reliable output power, the unique optical circuit design ensures excellent optical performance.

The MPU system with high stability and high precision can ensure the control, adjustment and monitor intelligent and easy.

This product is specially designed for long-distance digital fiber communication, which could combine with dispersion compensation device: (1) Lower noise figure. (2) High output power and high sensitivity, ensure dispersion and error rate optimized efficiently. (3) Broad input and output power adjustable range.

Optical Characteristics

Parameter	Symbol	Min	Typ	Max	Unit	
wavelength	λ_c	1529	1550	1561	nm	
Saturated output power ⁽¹⁾	Po	-----	-----	20	dBm	
Input Power	Booster	Pi	-3	-----	+10	dBm
Gain	G	10	20	23	dB	
Multi-wavelength Gain Flatness	GF	-----	-----	1.5	dB	
Noise Figure ⁽²⁾	NF	-----	5.0	-----	dB	
Output power stability	ΔP_o	-----	± 0.05	± 0.1	dB	
Return loss	RL	-----	-----	-45	dB	
Polarization dependent gain	PDG	-----	-----	0.3	dB	
Polarization mode dispersion	PMD	-----	-----	0.5	ps	
Communication	TTL or RS232					

(1) : Test at 0dBm input

Electric Characteristics

Parameter	Symbol	Min	Typ	Max	Unit
voltage ※	Vps	4.8	5.0	5.2	VDC
consumption ※※	P	-----	-----	10	W

※3.3VDC is optional

※※consumption is up to the output power and environment temperature

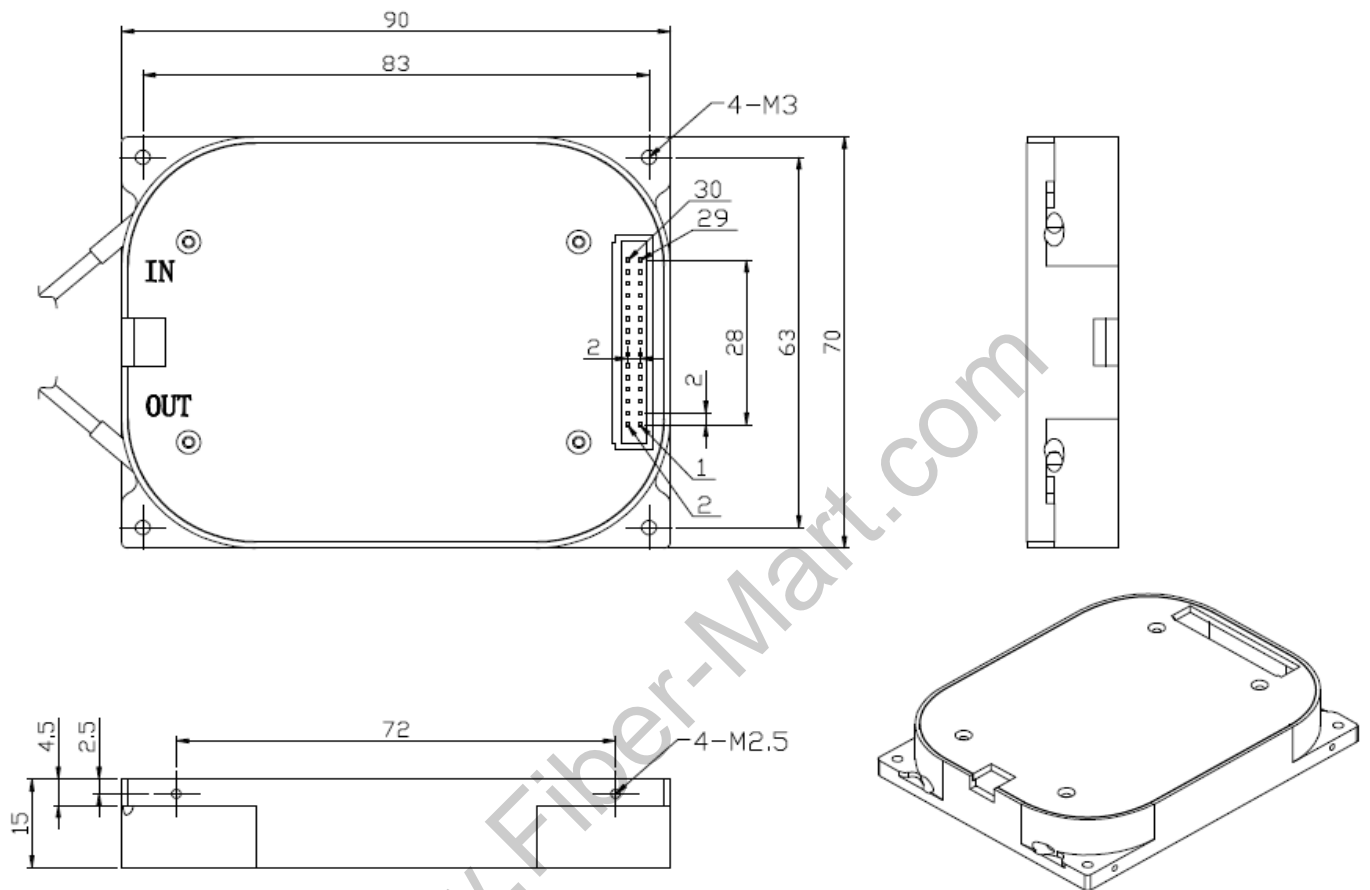
Environmental Characteristics

Parameter	Symbol	Min	Typ	Max	Unit
Operating temperature	Tw	-5	-----	60	°C
Storage temperature	Ts	-40	-----	80	°C
Humidity	-----	10	-----	85	%

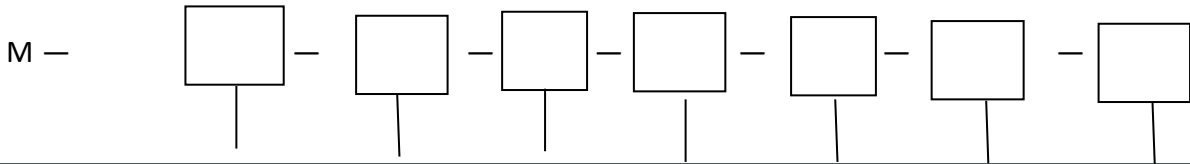
(3) : Non-condensing

Mechanical Dimension

M312: 90*70*15(mm)



Order Information



Product	Mechanical	Application	Input power	Output power	Output Ports	Voltage	Interface
M:module	31:dimension 90×70×15mm	2: fiber amplify	2: BA 3: LA 4: PA 9:other	13: 13dBm ... 23: 23dBm	1.: 1 port	7: 5VDC 8: 3.3VDC	1: SC/UPC 2: SC/APC 3: FC/UPC 4: FC/APC 5: LC/UPC 6: LC/APC